



HEALING TOUCH CAMA FAMILY CHAISE SLEEPER

CAMA COLLECTION LLC.

The CAMA Collection LLC., partners with artisans and manufacturers to develop innovative products that support health and wellbeing. The Collection addresses the gap in the kit-of-parts needed to fully develop interior environments that impact human behavior. Inspired by the universal need of mothers to cuddle their hospitalized children, CAMA and IOA began collaborating on a furniture collection that would harness the healing power of touch. In 2015, IOA launched the Healing Touch Collection with the introduction of the CAMA Bed Chair, which won a Best of Year award from Interior Design Magazine. www.camainc.com/collection

IOA - A FAMILY OWNED COMPANY

The Delmestri family has manufactured furniture for three generations. The company was founded in Udine, Northern Italy in 1933 and was known as a leading manufacturer of contemporary seating designs. In 1978, Dario Delmestri moved the company to the United States to a new facility in Thomasville, NC. Today, Fabio Delmestri leads IOA's Design and Manufacturing division, designing and crafting furniture lines that have received numerous accolades including Neocon's Innovation Award, The Nightingale Award, and Healthcare Design's People's Choice Award. www.ioa-hcf.com

IOA HEALTHCARE FURNITURE

829 Blair Street
Thomasville, NC 27360
(336) 475-7106
www.ioa-hcf.com



HEALING TOUCH



CAMA FAMILY CHAISE SLEEPER

Research shows that family support and involvement in patient care can enhance clinical outcomes and increase satisfaction with the hospital experience; and yet, most families have little opportunity to relax and feel at ease when they are caring for their hospitalized loved one.

The CAMA Family Chaise Sleeper is designed to cradle family members in a comfortable nook that converts from a chaise by day to a sleeper by night. With family nearby, patients benefit from the healing power of touch.





FAMILY MEMBERS ARE AN INTEGRAL PART OF THE CARE TEAM

Engineered to allow multiple seating positions such as side-sitting and lounging, the height and angle of the back creates a supportive hug-like sitting position, while the angle of the chaise position promotes eye contact with the bedridden patient.

With the ease of a front pull release, the seat deck slides out to the needed Chaise Sleeper depth. Families are encouraged to engage in active communications with the patient as well as with the other visiting family members. This seating configuration promotes “cuddle time”, an act of comfort that research has shown to help relieve stress and anxiety during intense recuperative periods. Because of the variety of comfortable positions, families can also provide company to the patient while maintaining daily activities such as working or reading.

The CAMA Family Chaise Sleeper is engineered to be developed in various sizes and arm configurations, and can be paired with a variety of convenience accessories.

The garaged seat depth allows for a back sill that accommodates a convenience shelf for drinks and various sundries.

Power and data ports are available as is a unique lighting fixture that creates a hug of light in the focal area of a recuperating patient. Side task tables are also available in the collection for dining and task related activities.



The CAMA Family Chaise Sleeper is engineered to be devoid of complex mechanics through its simple slide that extends and locks the seat depth.

A central locking mechanism for its rolling caster base allows for a facility's ease in cleaning and flexibility in room reconfigurations.



TECHNICAL SPECS

CAMA Family Chaise Sleeper

31”h x 34”d x 89”w

seat height: 18”

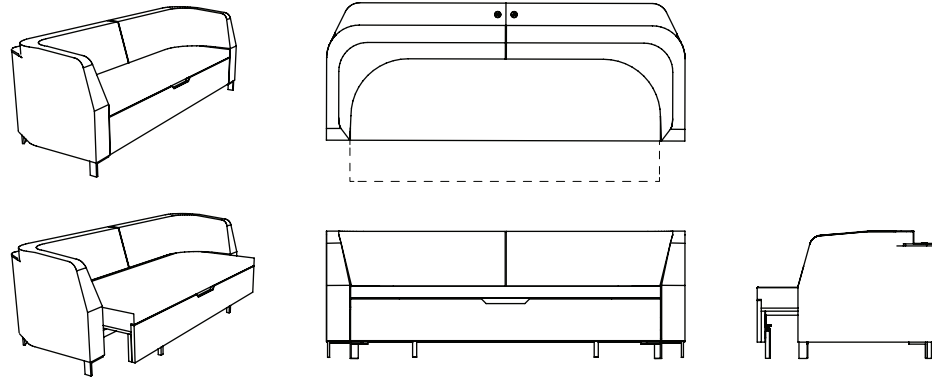
seat width: 76”

chaise sleeper position:

30”d x 76”w

recessed shelf

4.5” d



CAMA Side Task Table



CERTIFICATIONS

IOA is proud to be a participant in the Healthier Hospitals Initiative. The Healthier Hospitals Initiative encourages manufacturers to provide information on furniture that meets the Healthy Interiors goals of the Safer Chemicals Challenge. The CAMA Collection pieces each meet the Challenge.

The CAMA Collection meets and/or exceeds performance testing requirements of the applicable sections of ANSI/BIFMA 7.1.

CAMA Family Chaise Sleeper

with side table storage

31”h x 34”d x 107”w

seat height: 18”

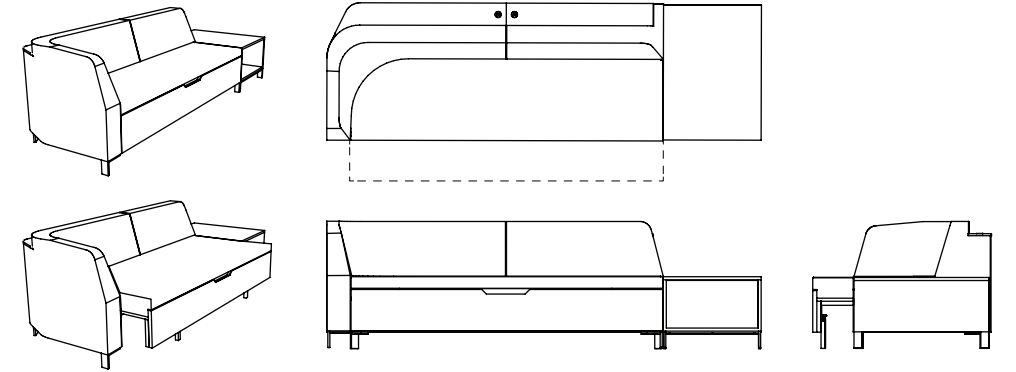
seat width: 76”

chaise sleeper position:

30”d x 76”w

recessed shelf

4.5” d



CAMA Family Chaise Sleeper

with side ottoman storage

31”h x 34”d x 107”w

seat height: 18”

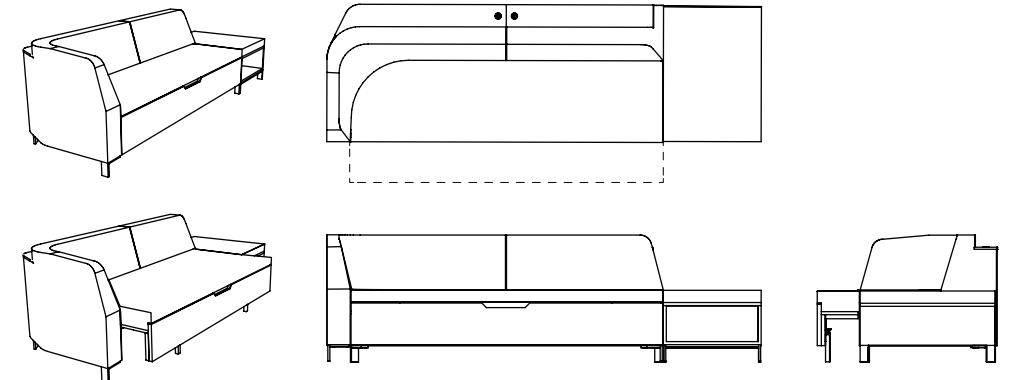
seat width: 76”

chaise sleeper position:

30”d x 76”w

recessed shelf

4.5” d



CONSTRUCTION

Solid Steel seat frame with dual foam layers for maximum support and comfort

Heavy duty swivel locking casters with 200lbs load rating each

Steel support feet for seat extension

Nonporous multipurpose surface

Optional flush mounted, spill resistant power outlets